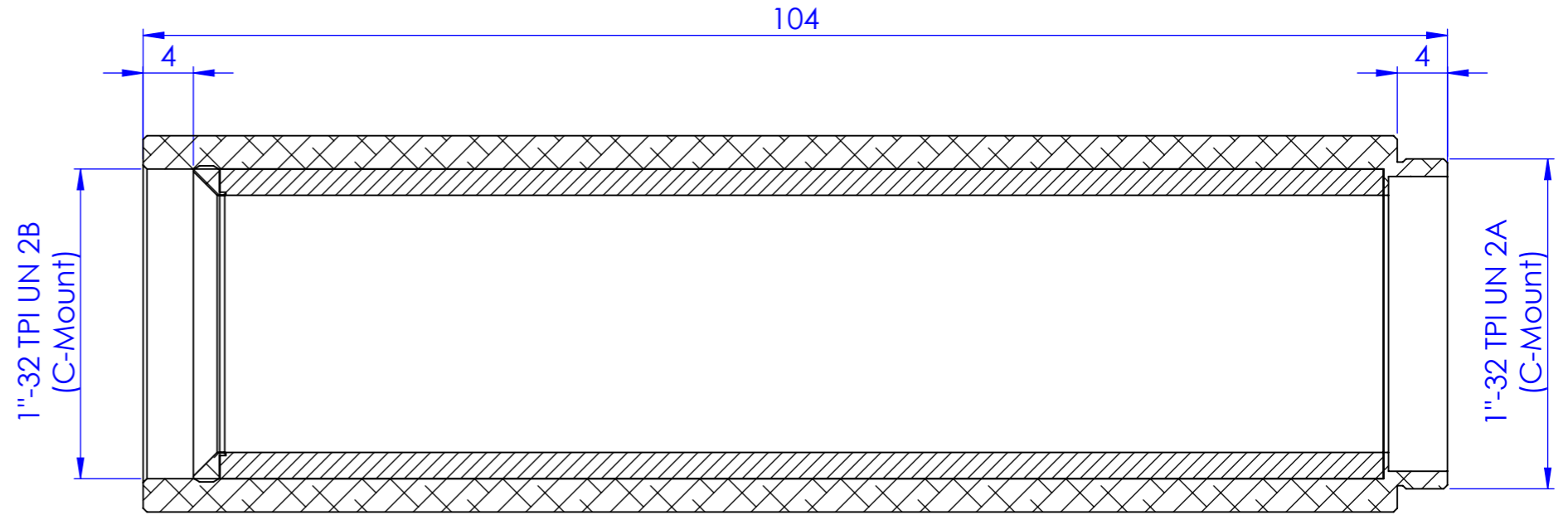
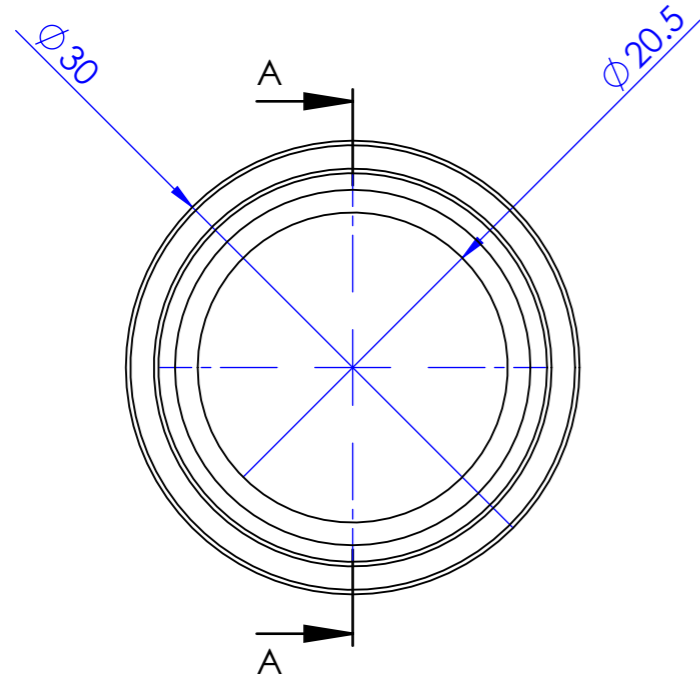


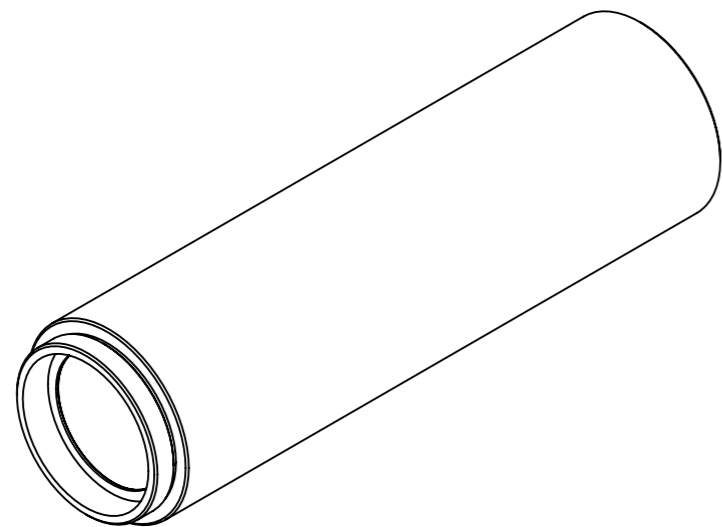
**HBT-C1-100**

This drawing and information herein is proprietary to Acktar Ltd. and shall not be disclosed except in accordance with its written permission

REVISIONS				
REV.	DESCRIPTION	ECO No	APPROVED	DATE



SECTION A-A



TOLERANCES UNLESS OTHERWISE SPECIFIED (ISO 2768) OVER INCL			DWG NO. <b>HBT-C1-100</b>				DO NOT SCALE DRAWING					
0	6	± 0.1	CH.	LIST	N.DOCUMENT	SIGNAT.	DATE	NAME <b>Hexa Black™ Extension Tubes 100mm</b>	LIT.	MASS	SCALE:	
6	30	± 0.2							DRAWN	77.35 g.	LIST 1	LISTS 1
30	120	± 0.3										
120	315	± 0.5							CHECKED	<b>Acktar Ltd.</b> 19 Topaz St., P.O.Box 8643 Kiryat Gat 8213513, Israel Tel: 972-8-6814213 Fax: 972-8-6810198 Email: info@acktar.com		
315	1000	± 0.8							TECHNOLOG	MATERIAL:		
ANGLE ±1			MANUFACT.	DESIGNED								

