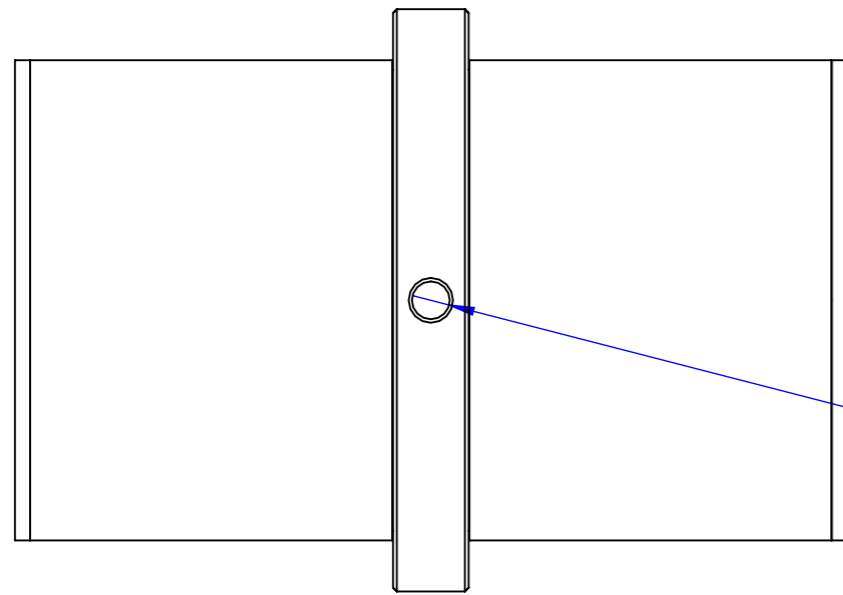
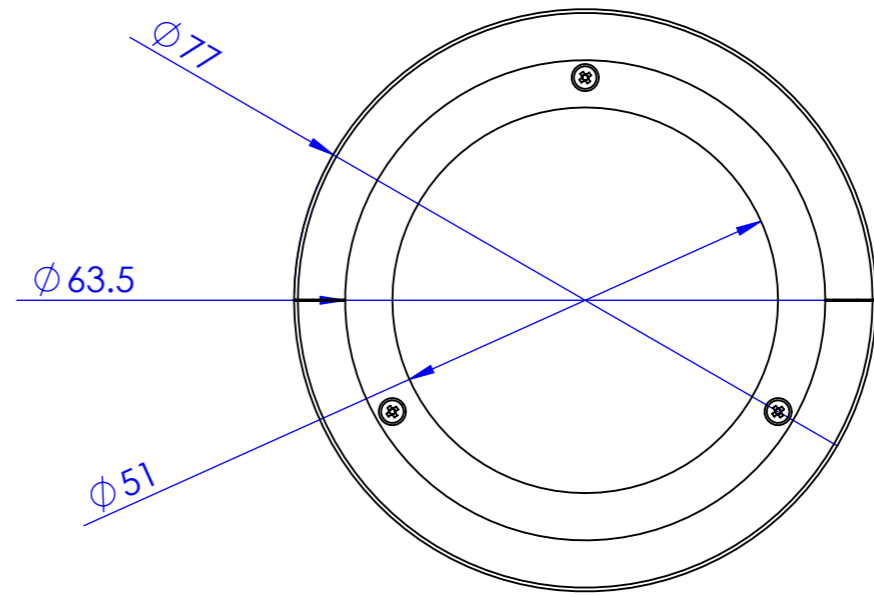
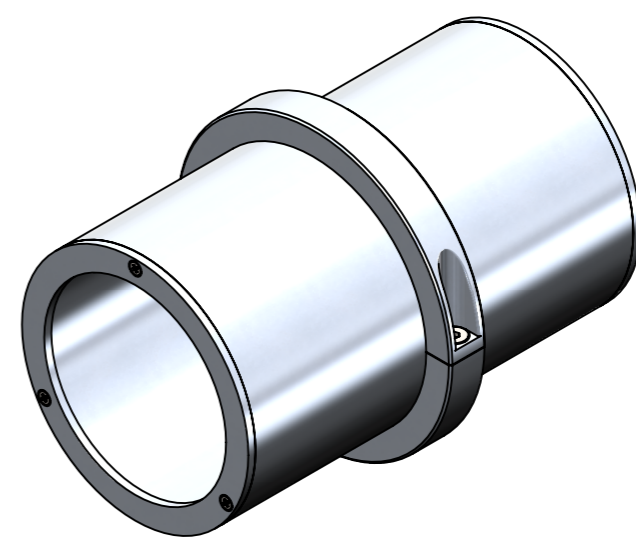
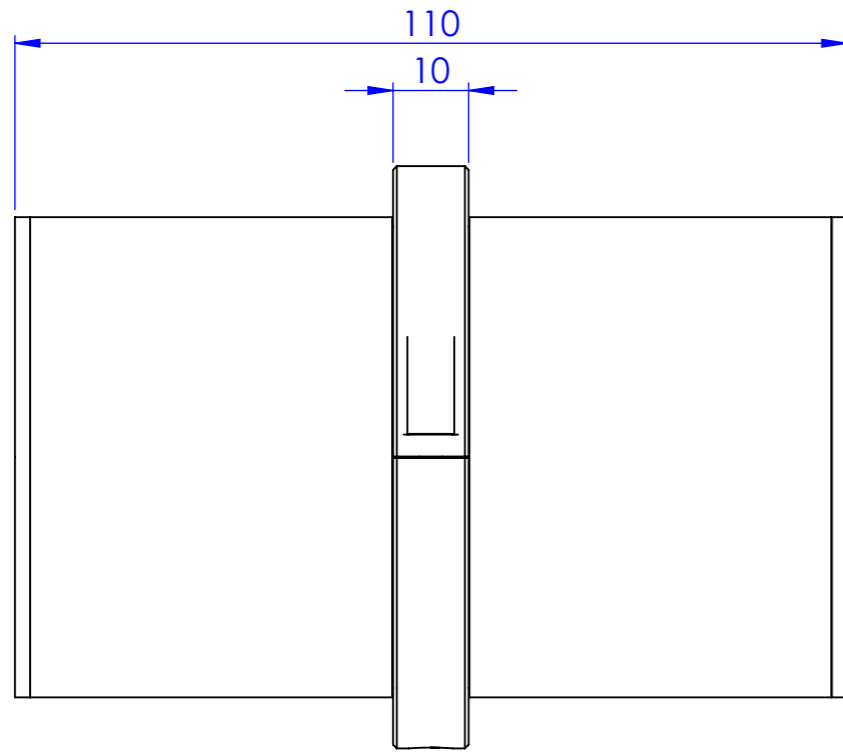


LBD-T-51



M6 Thread



TOLERANCES UNLESS OTHERWISE SPECIFIED (ISO 2768)			DWG NO. LBD-T-51				DO NOT SCALE DRAWING			
OVER INCL			CH.	LIST	N.DOCUMENT	SIGNAT.	DATE	LIT.	MASS	SCALE:
0	6	± 0.1								
6	30	± 0.2								
30	120	± 0.3								
120	315	± 0.5								
315	1000	± 0.8								
	ANGLE	±1								
			NAME Tube Laser Beam Dump for 51mm (2in) Beam				TITLE: LIST 1 LISTS 1			
			MANUFACT.				MATERIAL:			
			Approved By				Acktar Ltd. 19 Topaz St., P.O.Box 8643 Kiryat Gat 8213513, Israel Tel: 972-8-6814213 Fax: 972-8-6810198 Email: info@acktar.com			
			DESIGNED							